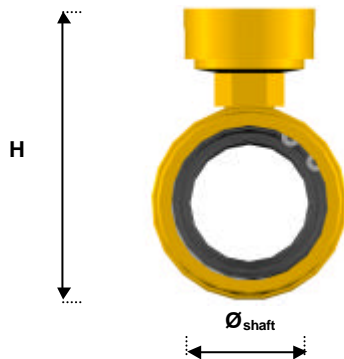
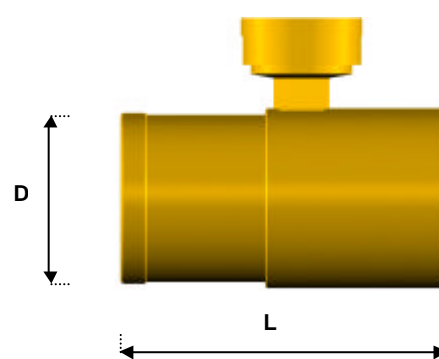


## Stuffing box - with sealings and grease cup (Pakkboks - med pakninger og griskopp)

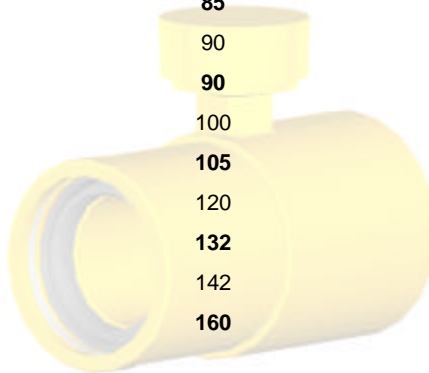
Ortho view:



Base view:



Part number (Delenummer)	$\varnothing_{\text{shaft}}$ [mm]	H [mm]	D [mm]	L [mm]
25PA3210	$\varnothing 25^a$	75	41	80
<b>30PA3210</b>	<b><math>\varnothing 30^b</math></b>	<b>80</b>	<b>45</b>	<b>90</b>
32PA3210	$\varnothing 32^c$	85	51	90
<b>35PA3210</b>	<b><math>\varnothing 35</math></b>	<b>85</b>	<b>51</b>	<b>100</b>
38PA3210	$\varnothing 38$	90	57	100
<b>40PA3210</b>	<b><math>\varnothing 40</math></b>	<b>90</b>	<b>57</b>	<b>100</b>
45PA3210	$\varnothing 45$	100	64	100
<b>50PA3210</b>	<b><math>\varnothing 50</math></b>	<b>105</b>	<b>65</b>	<b>100</b>
60PA3210	$\varnothing 60$	120	75	100
<b>70PA3210</b>	<b><math>\varnothing 70</math></b>	<b>132</b>	<b>95</b>	<b>100</b>
80PA3210	$\varnothing 80$	142	102	120
<b>90PA3210</b>	<b><math>\varnothing 90</math></b>	<b>160</b>	<b>127</b>	<b>120</b>
100PA3210	$\varnothing 100$			
<b>110PA3210</b>	<b><math>\varnothing 110</math></b>			
120PA3210	$\varnothing 120$			
<b>130PA3210</b>	<b><math>\varnothing 130</math></b>			



□ Technical information: For Controllable Pitch Propeller with tension tube - use diameter of tension tube .

(Teknisk informasjon: For vribare propellanlegg med trekkør - bruk diameter til trekkør.)

<sup>a</sup> -  $\varnothing_{\text{shaft}} = 25$  mm use (bruk)  $\varnothing = 30$  mm

<sup>b</sup> -  $\varnothing_{\text{shaft}} = 30$  mm use (bruk)  $\varnothing = 35$  mm

<sup>c</sup> -  $\varnothing_{\text{shaft}} = 32$  mm use (bruk)  $\varnothing = 40$  mm

The stuffing box is designed and manufactured by West Mekan AS. We have more than 30 years of experience of producing equipment to fishing boats, yatches and high speed passenger crafts. (Pakkboksen er konstruert og produsert av West Mekan AS. Vi har over 30 års erfaring i å produsere utstyr til fiskebåter, lystbåter, seilbåter og høyhastighet passasjerbåter.)



**WEST MEKAN**

Malakoff 3 N-6770 Nordfjordeid NORWAY

Tel: (+47) 57 88 51 50

Fax: (+47) 57 88 51 51

office@west-mekan.no

www.west-mekan.no