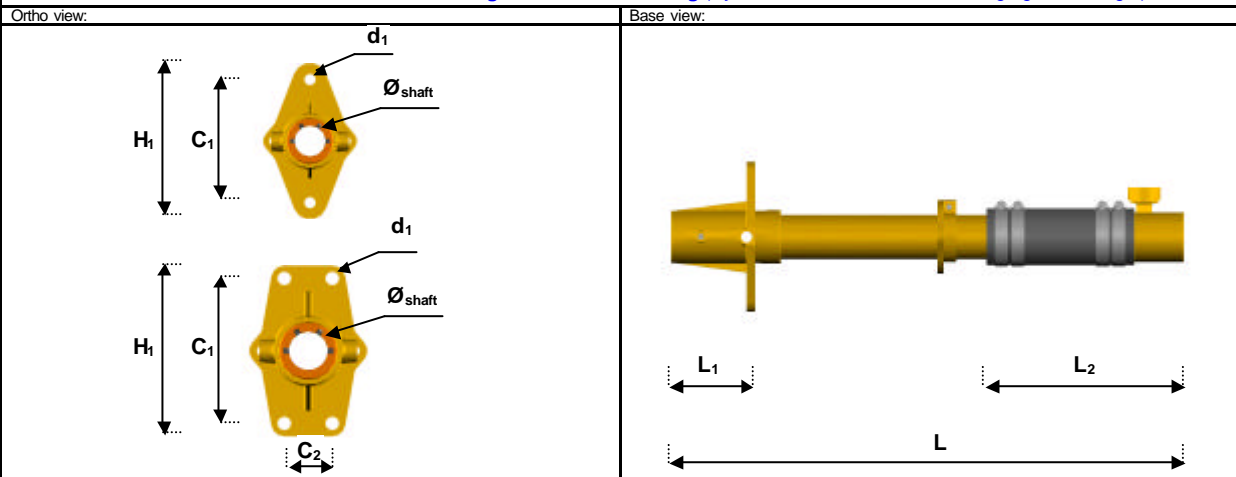


## Stern tube - water lubricated with stem fitting and thordon bearing *(Hylse - vannsmurt med stevnbeslag og thordonlager)*



Part number (Delenummer)	Ø <sub>shaft</sub> [mm]	C <sub>1</sub> [mm]	C <sub>2</sub> [mm]	H <sub>1</sub> [mm]	d <sub>1</sub> [mm]	L [mm]	L <sub>1</sub> [mm]	L <sub>2</sub> [mm]
25PA8650	ø 25	100	-	126	10		68	175
<b>30PA8650</b>	<b>ø 30</b>	<b>120</b>	-	<b>155</b>	<b>11</b>		<b>89</b>	<b>180</b>
35PA8650	ø 35	120	-	147	13		95	200
<b>40PA8650</b>	<b>ø 40</b>	<b>120</b>	-	<b>147</b>	<b>13</b>		<b>105</b>	<b>200</b>
45PA8650	ø 45	130	-	160	13		125	210
<b>50PA8650</b>	<b>ø 50</b>	<b>170</b>	<b>52</b>	<b>212</b>	<b>13</b>		<b>140</b>	<b>265</b>
60PA8650	ø 60	170	52	212	15		165	265
<b>70PA8650</b>	<b>ø 70</b>	<b>180</b>	<b>70</b>	<b>238</b>	<b>15</b>		<b>175</b>	<b>250</b>
80PA8650	ø 80	180	75	265	17		220	315
<b>90PA8650</b>	<b>ø 90</b>	<b>190</b>	<b>80</b>	<b>290</b>	<b>21</b>		<b>240</b>	<b>315</b>
100PA8650	ø 100	200	90	320	21		260	
<b>110PA8650</b>	<b>ø 110</b>	<b>210</b>	<b>95</b>	<b>350</b>	<b>21</b>		<b>280</b>	
120PA8650	ø 120							
<b>130PA8650</b>	<b>ø 130</b>							

The stern tube is designed and manufactured by West Mekan AS. We have more than 30 years of experience of producing equipment to fishing boats, yatches and high speed passenger crafts. *(Hylsen er konstruert og produsert av West Mekan AS. Vi har mer enn 30 års erfaring i å produsere utstyr til fiskebåter, lystbåter, seilbåter og hurtiggående passasjerbåter.)*

 <b>WEST MEKAN</b> Malakoff 3 N-6770 Nordfjordeid NORWAY	Tel: (+47) 57 88 51 50	Fax: (+47) 57 88 51 51
	office@west-mekan.no	www.west-mekan.no